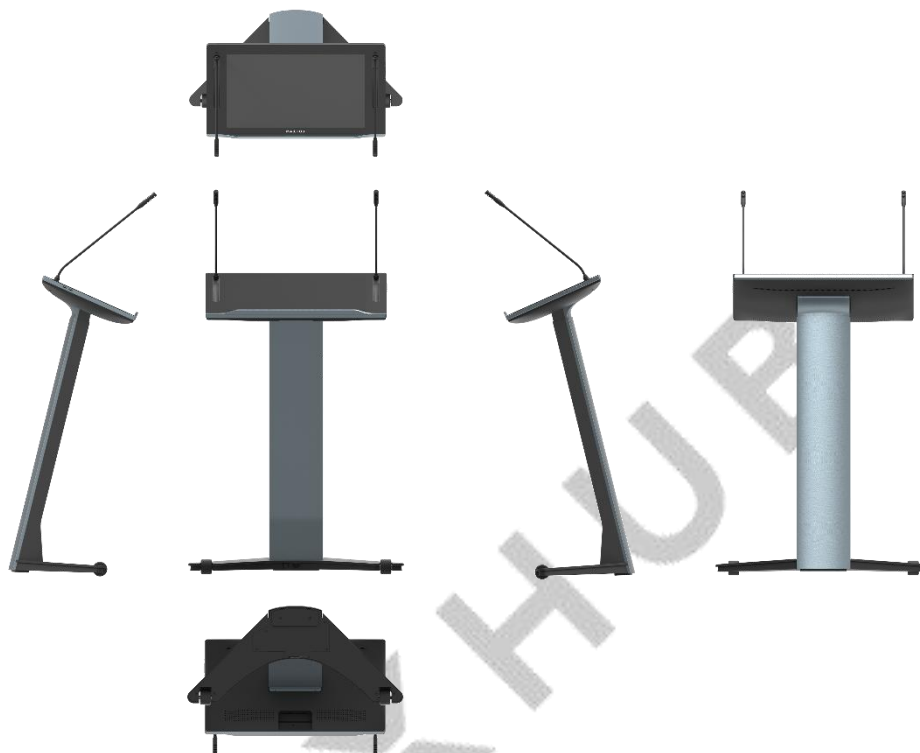


Product Specification

1. Product Features



2. Display

Size	21.5inch
Panel Type	IPS
Response Time	14ms
Aspect Ratio	16:9
Display Area	476.064 (H) × 267.786 (V)mm
Resolution	1920(H) × 1080(V)
Pixel Pitch	0.24795 × 0.24795 mm
Refreshing Frequency	60Hz

Color Depth	16.7M(8bit)
NTSC(Typ)	72%
Contrast Ratio	1000:1
Viewing Angle	178° (H/V)
Back Light Unit	ELED
Brightness with glass(Typ)	190cd/m2
Life Time	≥30000 hours

3. Wireless transmission function

Wireless screen	
Wireless transmission transmitter	Built-in
Transmission Delay	Average delay < 133ms
Operating Distance	12m
Operating Frequency	2.4GHz/5GHz
Wi-Fi	
Wi-Fi Version	802.11 a/b/g/n/ac
Operating Frequency	2.4GHz/5GHz

4. Audio

loudspeaker	
Sound Channel	2.0
Output Power	2 × 3W

Microphone	
Quantity	2
Type	Gooseneck microphone
Pickup Distance	> 15cm
Sensitivity	-40dB ± 2dB
Frequency Range	40Hz-16KHz
Sampling Rate	32KHz

5. Touch System

Sensing Type	Capacitance & electromagnetism
Capacitance	
Touch Tool	Finger, Capacitive stylus
Touch point	10 points touch
Response Time	< 15ms
Minimum object size	3mm
Accuracy	2mm
Electromagnetic	
Touch Tool	Electromagnetic pen
Touch point	Single point touch
Accuracy	0.5mm
Writing Height	10mm ± 2mm

6. Built-in system

MAXHUB

System Version	Windows10
CPU	Intel 8 th 8250U
RAM	8GB
ROM	SSD 128GB

7. Connectors

USB3.0	2
HDMI OUT	1
AUDIO OUT	1
Button	4(Power button, Control column up button, Control column down button, microphone switch button)

8. Power

Power Requirements	100-240V~50/60Hz 1.0A
Overall Power	100W
-	-

9. Control parameters

Control mode	Electric control
Lifting speed	Up : 0.5cm/s Down: 0.8cm/s
Lifting distance	Min:1.0m

	Max:1.3m
--	----------

10. Physical Specifications

Dimension L × H × D	739 × 400 × (1000~1300)mm
Dimension(package) L × W × H	TBD
Truckle	2
Max Load	5kg
Separable design	The intelligent podium can be separated from the lifting column and used separately
Net Weight	27 kg
Gross Weight	33.7 kg

11. Accessories

Power Cord	× 1 (3m)
HDMI Cable	× 1 (3m)
Smart Pen	× 2 (SP08)
Power Adaptor	× 1
Quick Start Guide	× 1

12. Environmental Conditions

Operation Temperature	0°C – 40°C
Operation Humidity	10% – 90%RH

MAXHUB

Storage Temperature	-20℃-60℃
Storage Humidity	10% - 90%RH
Altitude	Below 5000 meters



NOTICE: The terms HDMI and HDMI High-Definition Multimedia Interface, and the HDMI Logo are trademarks or registered trademarks of HDMI Licensing LLC in the United States and other countries.

MAXHUB